

TAKE ADVANTAGE OF YOUR NEXT **MACHINES'** **MAINTENANCE** TO UPGRADE YOUR FFGs

Technicarton supplies **SPARE PARTS** for your **RETROFIT** !

Did you know that the replacement of worn parts contributes to **BUDGET REDUCTION** and a **MORE SUSTAINABLE CONSUMPTION**?

BEFORE RETROFIT



- Reduced consumption of spare parts
- Increased productivity and parts' lasting time
- Less machine stops and maintenance work
- Less defective boxes

AFTER RETROFIT



Economical



Sustainability

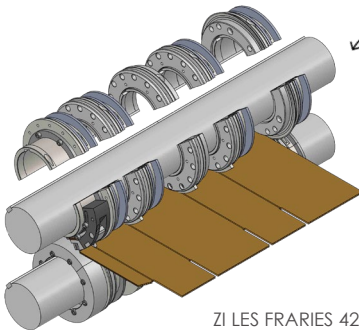


Ecological



Productivity

Optimize your machines and install our **TECHNICAL IMPROVEMENTS**, which considerably **facilitate the work of operators and maintenance technicians** and **improve the quality of your boxes!**



- **Switch from heads in 1 piece to special heads in 2 halves**
- **Automatic lap cutting system SLS®**
- **Special knives (serration and tips)**
- **No more attachment point of the lap : LCP® system**
- **TCP® special scoring profile**

